

Flat Section Spring Washer

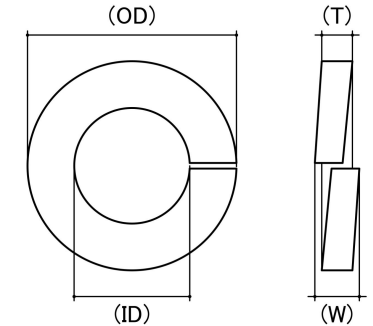
Material: Stainless Steel

Class Grade: A4-70 G316

Corrosion Protection Level: Ultimate

Standard: HEC 127B

System Of Measurement: Metric



*CAD drawings shown for graphic representation only.**

Industry Size (mm)	Inside Dimension (ID) (mm)		Outside Dimension (OD) (mm)	Width (W) (mm)	Thickness (T) (mm)	sku (qfind)
	Min	Max	Nom	Nom	Nom	
2	2.10	2.40	4.40	0.90	0.50	71PS2M
2.5	2.60	2.90	5.10	1.00	0.60	71PS25M
3	3.10	3.40	6.20	1.30	0.80	71PS3M
3.5	3.60	3.90	6.70	1.30	0.80	71PS3.5M
4	4.10	4.50	7.60	1.50	0.90	71PS4M
5	5.10	5.50	9.20	1.80	1.20	71PS5M
6	6.10	6.70	12.00	2.50	1.60	71PS6M
8	8.00	8.50	15.00	3.00	2.00	71PS8M
10	10.20	10.75	18.00	3.50	2.20	71PS10M
12	12.20	13.00	21.00	4.00	2.50	71PSM12M
14	14.20	14.70	23.30	4.50	2.95	71PSM14M
16	16.20	17.00	27.00	5.00	3.50	71PS16M
18	18.20	19.00	29.00	5.00	3.50	71PSM18M
20	20.90	22.10	33.50	6.00	4.00	71PS20M
22	22.30	24.00	36.00	6.00	4.00	71PS22M

Industry Size (mm)	Inside Dimension (ID) (mm)		Outside Dimension (OD) (mm)	Width (W) (mm)	Thickness (T) (mm)	sku (qfind)
	Min	Max	Nom	Nom	Nom	
24	24.50	26.50	40.00	7.00	5.00	71PS24M
27	27.50	29.50	43.00	7.00	5.00	71PS27M
30	32.00	33.00	48.00	8.00	6.00	71PS30M
33	33.50	36.00	55.00	8.00	6.00	71PS33M
36	36.50	38.50	58.00	10.00	6.00	71PS36M

Disclaimer:

Dimensional data and technical information was obtained from publically available sources and not acquired through standard agencies. It has been completed and compiled for reference purposes only; where discrepancies are found they are subject to change without notice. Bolt & Nut Australia makes no warranties or representations regarding the accuracy and validity of the compiled information and data. Contact the relevant standard authorities for accurate and detailed information.

* CAD drawings may not reflect diameter, thread length or overall length.

© Bolt & Nut Australia Pty Ltd. All rights reserved.

Version: 18 Mar 2024